

Model: ZP295KCE-TWD

Data

Type: Hermetic piston compressors

Producer: Copeland

Series: ZP

Model: ZP295KCE-TWD

Technical data

Nominal motor power [HP]:	25
Displacement [m ³ /h]:	45,8
Sound pressure level :	73
Weight [kg]:	188/160
Oil charge [dm ³]:	5,6

Electrical data

Power supply [V/~/Hz]:	380-420V/3/50Hz
Locked rotor current [A]:	272
Max. operating current [A]:	48
Winding resistance [Ω]:	0,51

Connections

	<u>millimeters</u>	<u>inches</u>
Suction Rotolock valve connection:		2 1/4"
Discharge Rotolock valve connection:		1 3/4"
Suction connection with supplied sleeve:		1 5/8"
Discharge connection with supplied sleeve:		1 3/8"

Model: ZP295KCE-TWD

Capacity

R410A

Cooling capacity [kW]

$t_c \setminus t_e$	-20	-15	-10	-5	0	5	10	15
25	33.40	40.98	49.90	60.28	72.27	85.99	101.60	-
30	31.44	38.77	47.37	57.36	68.88	82.07	97.07	114.01
35	29.48	36.52	44.74	54.29	65.29	77.90	92.23	108.45
40	27.49	34.19	41.99	51.05	61.49	73.45	87.08	102.52
45	-	31.76	39.09	47.61	57.43	68.71	81.58	96.18
50	-	-	36.01	43.93	53.10	63.64	75.70	89.43
55	-	-	-	40.01	48.46	58.22	69.42	82.21
60	-	-	-	-	43.48	52.41	62.71	74.52
65	-	-	-	-	38.14	46.18	55.53	66.31

Power input [kW]

$t_c \setminus t_e$	-20	-15	-10	-5	0	5	10	15
25	11.34	11.51	11.70	11.88	12.08	12.29	12.51	-
30	12.53	12.69	12.86	13.04	13.23	13.44	13.67	13.91
35	13.88	14.01	14.16	14.32	14.51	14.71	14.94	15.19
40	15.43	15.53	15.65	15.79	15.95	16.14	16.36	16.60
45	-	17.28	17.36	17.47	17.60	17.77	17.97	18.21
50	-	-	19.34	19.41	19.51	19.64	19.82	20.03
55	-	-	-	21.65	21.70	21.80	21.94	22.13
60	-	-	-	-	24.23	24.28	24.38	24.53
65	-	-	-	-	27.14	27.13	27.18	27.29

Model: ZP295KCE-TWD

Capacity

Current [A]

$t_c \setminus t_e$	-20	-15	-10	-5	0	5	10	15
25	24.92	25.09	25.27	25.48	25.71	25.99	26.32	-
30	26.04	26.19	26.35	26.54	26.75	27.00	27.30	27.66
35	27.50	27.64	27.78	27.94	28.13	28.36	28.64	28.97
40	29.33	29.44	29.57	29.71	29.88	30.08	30.33	30.64
45	-	31.62	31.73	31.85	32.00	32.18	32.40	32.68
50	-	-	34.27	34.38	34.50	34.66	34.86	35.11
55	-	-	-	37.30	37.40	37.54	37.72	37.94
60	-	-	-	-	40.72	40.83	40.99	41.19
65	-	-	-	-	44.45	44.55	44.68	44.86

Mass flow [kg/s]

$t_c \setminus t_e$	-20	-15	-10	-5	0	5	10	15
25	650.11	793.14	956.60	1 143.33	1 356.19	1 598.05	1 871.76	-
30	647.26	790.22	953.75	1 140.69	1 353.90	1 596.24	1 870.58	2 179.75
35	640.91	783.51	946.80	1 133.64	1 346.89	1 589.41	1 864.05	2 173.68
40	631.76	773.67	936.42	1 122.85	1 335.83	1 578.22	1 852.87	2 162.64
45	-	761.39	923.29	1 109.01	1 321.41	1 563.36	1 837.70	2 147.31
50	-	-	908.08	1 092.78	1 304.30	1 545.50	1 819.23	2 128.36
55	-	-	-	1 074.84	1 285.17	1 525.31	1 798.13	2 106.48
60	-	-	-	-	1 264.70	1 503.48	1 775.07	2 082.33
65	-	-	-	-	1 243.57	1 480.68	1 750.74	2 056.60

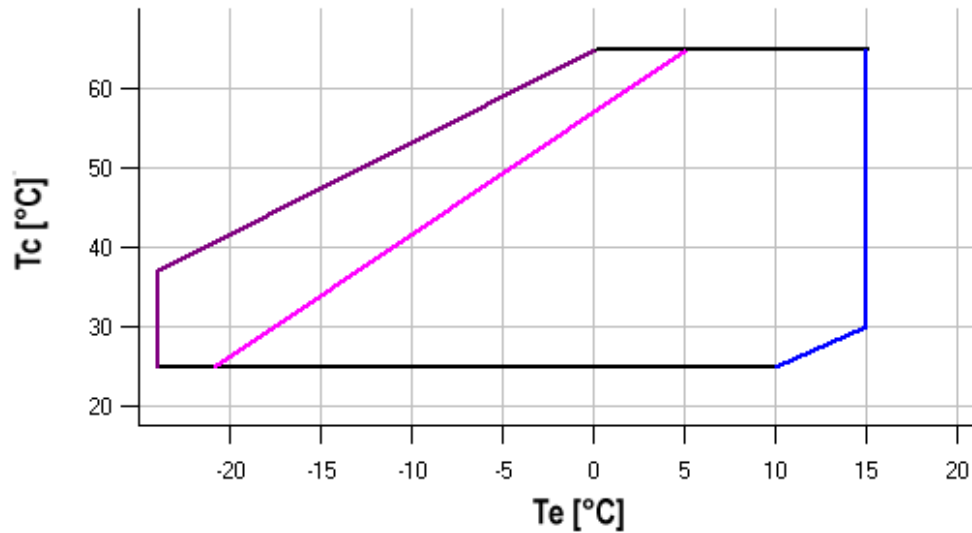
Model: ZP295KCE-TWD

Capacity

C.O.P. [W/W]

$t_c \setminus t_e$	-20	-15	-10	-5	0	5	10	15
25	2.95	3.56	4.27	5.07	5.98	7.00	8.12	-
30	2.51	3.06	3.68	4.40	5.21	6.11	7.10	8.19
35	2.12	2.61	3.16	3.79	4.50	5.30	6.18	7.14
40	1.78	2.20	2.68	3.23	3.86	4.55	5.32	6.17
45	-	1.84	2.25	2.73	3.26	3.87	4.54	5.28
50	-	-	1.86	2.26	2.72	3.24	3.82	4.46
55	-	-	-	1.85	2.23	2.67	3.16	3.72
60	-	-	-	-	1.79	2.16	2.57	3.04
65	-	-	-	-	1.41	1.70	2.04	2.43

Application range



- Maximum evaporating temperature
- 25°C suction gas temperature
- 10K gas overheat

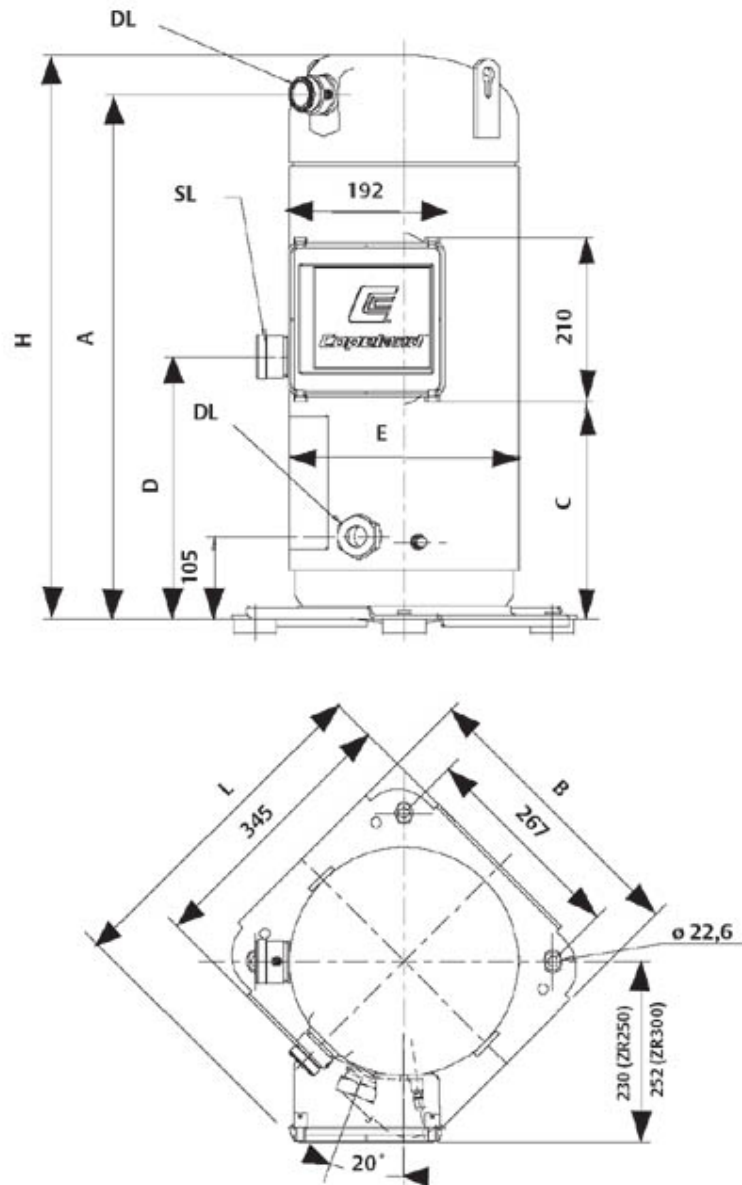
Operating conditions: 10K suction superheat, 0K subcooling

t_c - Condensing temperature [°C]

t_e - Evaporating temperature [°C]

Model: ZP295KCE-TWD

Dimensions



A	660 mm
B	368 mm
C	275 mm
D	375 mm
E	334 mm
H	716 mm
L	449 mm

Model: ZP295KCE-TWD

Image

